

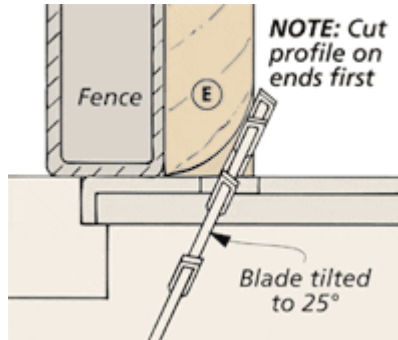
Tablesaw Roundovers

Shaping an irregular roundover is really a two-step process. With the profile traced out on the end of the stock, I use a table saw to remove most of the waste, see Steps 1 and 2. By tilting the blade, I can stay outside of the layout lines.

Then I remove the remaining waste and refine the profile with a sanding block or had plane, see Step 3.

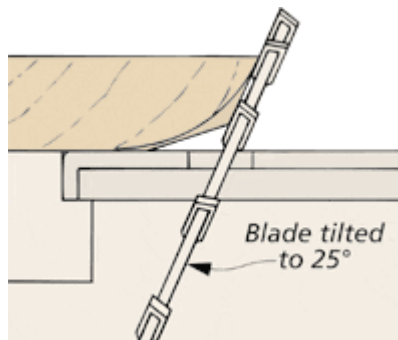
Have a nice weekend,

Brian McCallum
Online Editor, *Woodsmith*



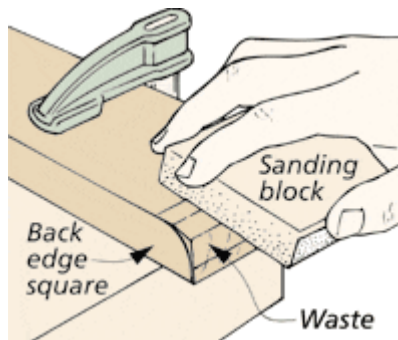
1

Start on any end grain to avoid tear out, tilt the saw blade to approximately 25° to make the first series of cuts



2

For the second set of cuts, simply flip the workpiece around and place it so it lies flat on the table saw.



3

Carefully sand or plane away the remaining waste to smooth out the roundover and complete the profile.